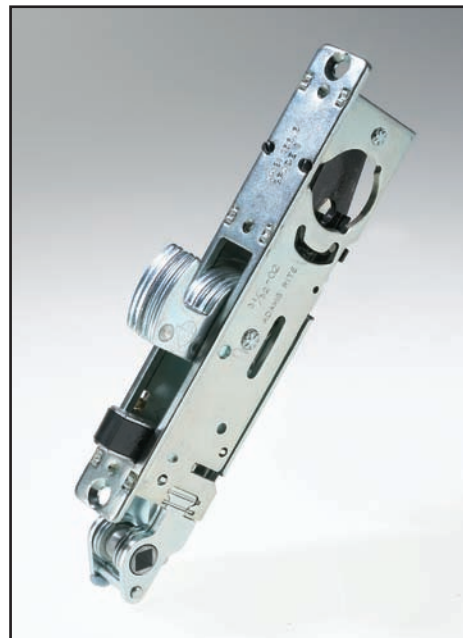


# MS<sup>®</sup>+1890

## Latch/Deadlatch

The Adams Rite MS<sup>®</sup> + 1890 provide both maximum security after hours and convenient traffic control management during the day.



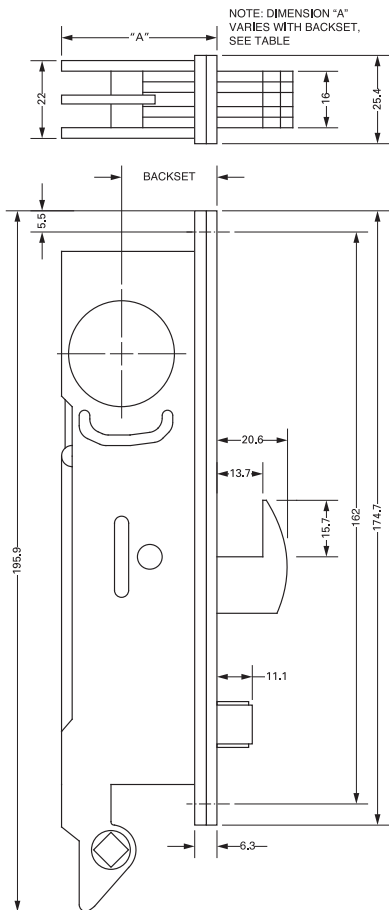
## Key Benefits

- Suitable for use on aluminium doors.
- Both lock and latch bolts retracted for unrestricted entry and exit during business hours.
- Handle-operated latch for exit-only traffic.
- Maximum security hookbolt for overnight locking.
- Non-handed.

## Related Hardware

Round Mortice Cylinders ~ MS<sup>®</sup>4043 Cylinder Guard Round Thumbturns ~  
4591 Paddle Handle ~ 4561 & 4565 Lever Handle & Thumbturn 4568 Lever Handle ~  
4505 Box Strikes

## Dimensions

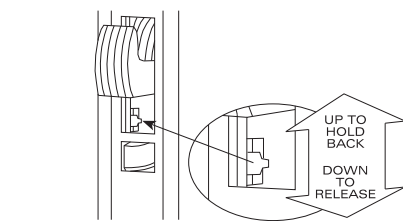


NOTE: DIMENSION "A"  
VARIES WITH BACKSET.  
SEE TABLE

Backset	Dimension "A"
24.6mm (1.60")	40.6mm (1.60")
28.6mm (1.75")	44.4mm (1.75")
38.1mm (1.1/2")	57.1mm (2.25")

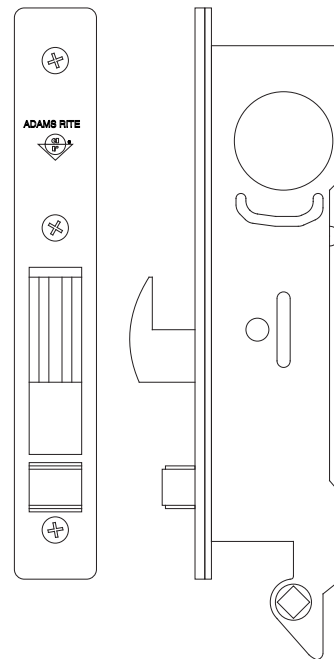
## Specifications

<b>Overall Case Size:</b>	195.9mm x 25.4mm x 40.6mm - 24.6mm Backset (31/32") 195.9mm x 25.4mm x 44.4mm - 28.6mm Backset (1 1/8") 195.9mm x 25.4mm x 57.1mm - 38.1mm Backset (1 1/2").
<b>Case:</b>	Steel with corrosion-resistant plating.
<b>Backset:</b>	24.6mm, 28.6mm, 38.1mm.
<b>Latch Bolt:</b>	15.9mm x 15.9mm. Zinc Alloy with Delrin face. Handing reversible.
<b>Latch Bolt Throw:</b>	11.1mm.
<b>Lock Bolt:</b>	34.9mm x 15.9mm. 5 Ply Laminated Steel with patented Alumina-Ceramic Anti-Saw Core.
<b>Lock Bolt Throw:</b>	20.6mm.
<b>Cylinder:</b>	Any standard 29.4mm (1 5/32") Mortice Cylinder or Thumbturn with MS® cam.
<b>Operation:</b>	360° turn of key throws or retracts deadbolt. When unlocked, further 120° turn retracts latchbolt.
<b>Door Gap:</b>	Maximum 3mm.
<b>Forend:</b>	Steel, with aluminium faceplate.



### Bolt Holdback Feature

To Operate Bolt Holdback:  
**1** Throw lock bolt.  
**2** Push back latch bolt.  
**3** Operate bolt holdback lever with key or similar tool.



## Ordering Codes

### Lock Bodies

**1890-250** 24.6mm (31/32") Backset Hookbolt Latch/Deadlock  
**1890-350** 28.6mm (1 1/8") Backset Hookbolt Latch/Deadlock  
**1890-450** 38.1mm (1 1/2") Backset Hookbolt Latch/Deadlock

### Faceplates

**24-1890-050-628** MS®+1890 Faceplate Flat Hook Lock SAA Finish  
**24-1890-150-628** MS®+1890 Faceplate Radius Hook Lock SAA Finish  
**24-1890-250-628** MS®+1890 Faceplate Left Hand Bevel Hook Lock SAA Finish  
**24-1890-350-628** MS®+1890 Faceplate Right Hand Bevel Hook Lock SAA Finish  
**24-1890-450-628** MS®+1890 Faceplate Radius Weatherstrip Hook Lock SAA Finish

**Note:** Cylinders, thumbturns and faceplates not supplied as standard; order separately.

**Note:** 628 denotes standard Satin Anodised Finish-substitute 628 with 313 for Bronze, or 335 for Black.