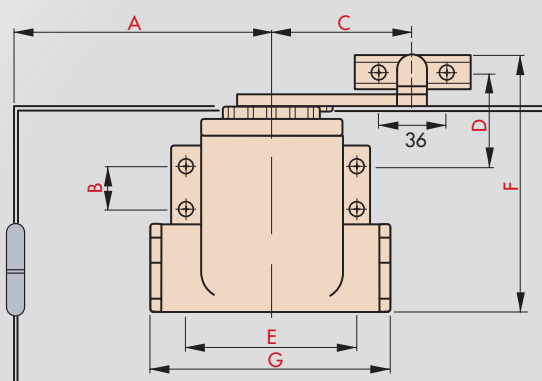


Classique



The reference in terms of longevity and reliability
Inimitable style

TECHNICAL CHARACTERISTICS	Classique
Adjustable closing force	3 to 6 according to model
Maximum dimension of door	< 1400 mm according to model
Maximum weight of door	< 120 kg according to model
Closing speed adjustable 180° - 15°	YES
Latching action adjustable 15° - 0° as standard adjustable from the arm	YES
Backcheck adjustable 70° - 180°	NO
Delayed action adjustable 105° - 70°	NO
Standard arm	YES
Slide Arm SERIE 9	YES
Standard arm champagne	YES
RAL Colours	OPTION
High-Quality Finishes	NO



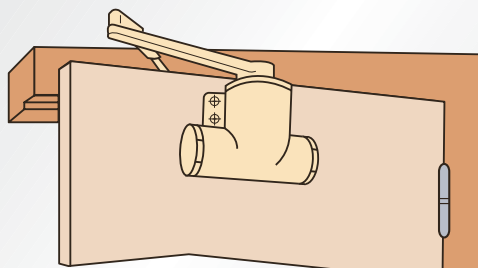
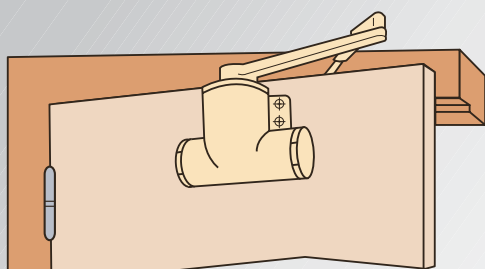
Appliance N°	3	4	5	6
A for coverage up to 90°	240	260	310	350
A for coverage beyond 90°	180	200	230	290
B	29	33	35	40
C	80	80	80	80
D	48	48	60	72
E	85	96	107	120
F	145	160	185	215
G	135	145	170	194
Number of adjustment notches	Average value 5 to 7 notches			



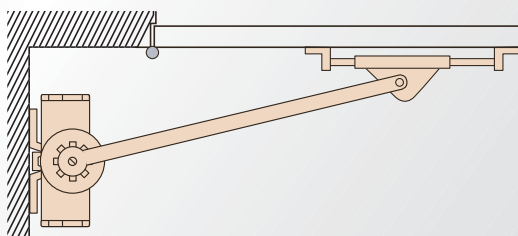
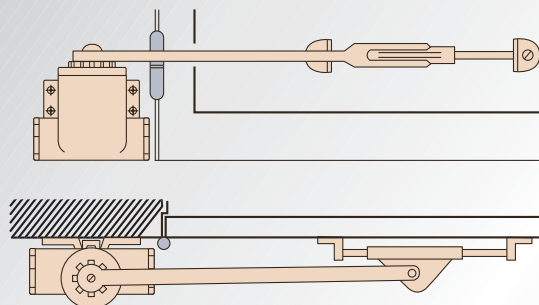
Classique

USAGE AND FITTING

■ EXAMPLE OF MOUNTING



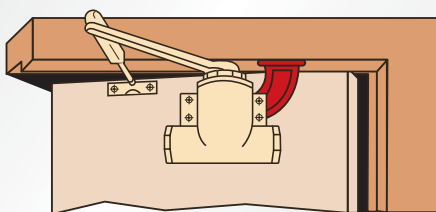
Door and door closer opening to right Door and door closer opening to left



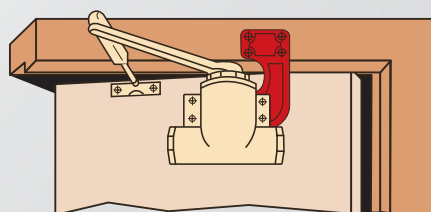
SÉRIE 9 : Door closer, fitting in a pulling configuration, on the side behind the hinges, either at the bottom or at the top, or at any height on the door, preferably opposite a horizontal crosspiece.

Depending on the door's profile, the arm is straight (A). It is important to use an appliance with a higher number to that which would be used for a normal installation.

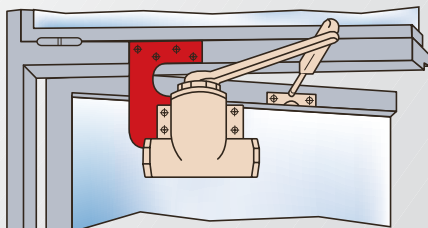
■ ACCESSORIES



angled support plate for mounting body under lintel

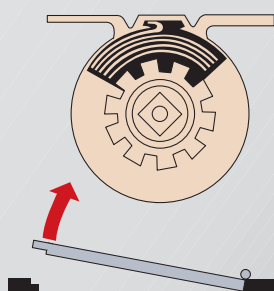


Fixed support plate for mounting on narrow wooden frame



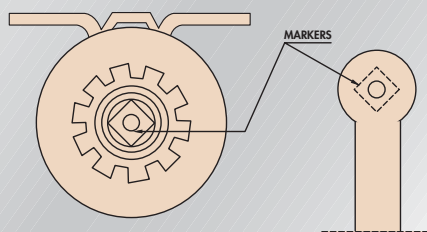
Fixed support plate for mounting on narrow metal frame

REVERSIBILITY

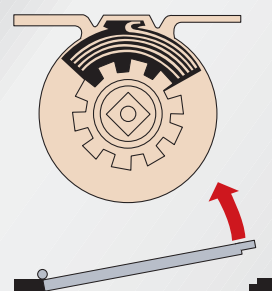


Spring on right

A door is said to be "to the right" when it opens on the right when the handle is pushed



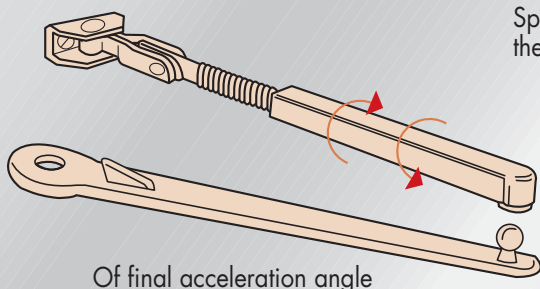
Whatever position the spring is in, the arm always keeps the same position on the shaft of the door closer; the two markers must be placed face to face



Spring on left

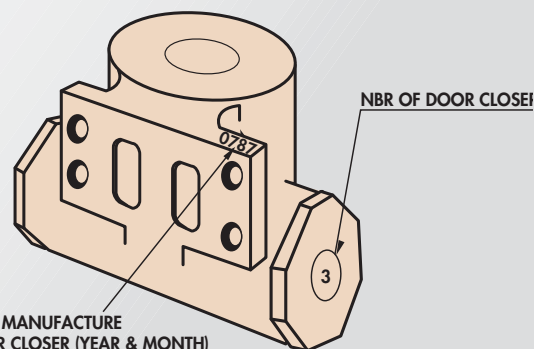
A door is said to be "to the left" when it opens on the left when the handle is pushed

ADJUSTMENTS



Spring is tensioned using the supplied winding key

Of final acceleration angle



REFERENCES **Classique**

COMPLETE DOOR CLOSER

703112	CLASSIQUE 3 STANDARD CHAMPAGNE ADJUSTABLE ARM
704112	CLASSIQUE 4 STANDARD CHAMPAGNE ADJUSTABLE ARM
705112	CLASSIQUE 5 STANDARD CHAMPAGNE ADJUSTABLE ARM
706112	CLASSIQUE 6 STANDARD CHAMPAGNE ADJUSTABLE ARM

COMPLETE DOOR CLOSER SERIES 9

703Y02	CLASSIQUE 3 SERIES 9 CHAMPAGNE
704Y02	CLASSIQUE 4 SERIES 9 CHAMPAGNE
705Y02	CLASSIQUE 5 SERIES 9 CHAMPAGNE
706Y02	CLASSIQUE 6 SERIES 9 CHAMPAGNE

Y = Direction Code 0 = Right Direction 5 = Left Direction

ACCESSORIES

703900	SPRING FOR CLASSIQUE 3 WITH WINDING KEY
704900	SPRING FOR CLASSIQUE 4 WITH WINDING KEY
705900	SPRING FOR CLASSIQUE 5 WITH WINDING KEY
706900	SPRING FOR CLASSIQUE 6 WITH WINDING KEY

Fitting and support plates: consult us